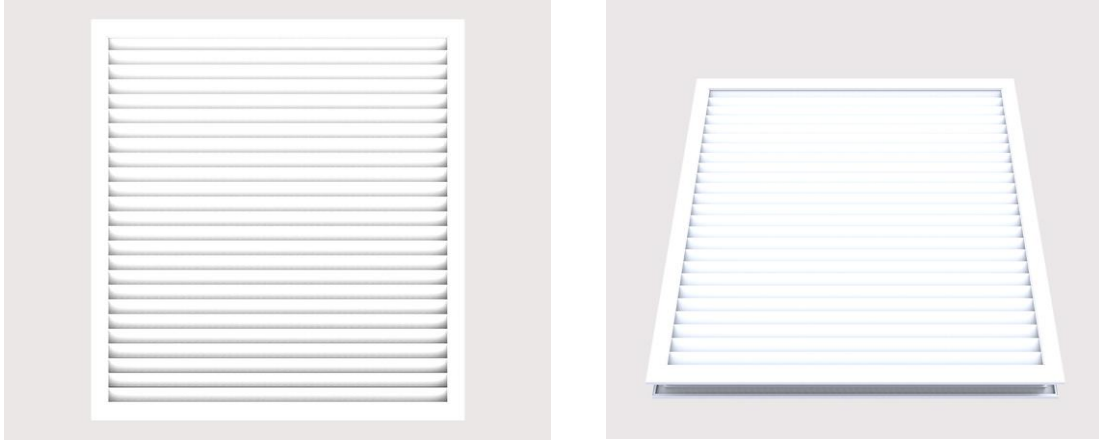


**DOOR TRANSFER GRILLES -CKM-05**

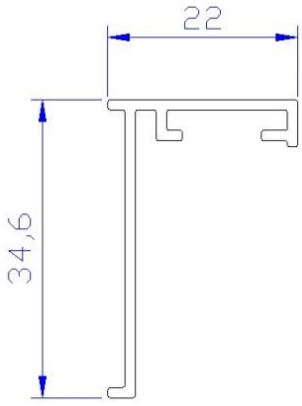
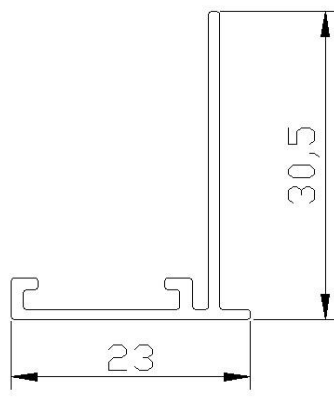


**AREA OF USAGE AND FEATURES :**It is used as air transfer grilles between neighboring locations. Door transfer grilles are manufactured with fixed wings. Transfer grilles can be used for a minimum of 40 mm thickness. Image is the same on the front and back. Standard manufacturing is screwless. Installation way depends on adjustable requirement

**MATERIAL:** Aluminyum profile produced by extrusion method

**SURFACE COATING :** Product can be manufactured in requested color by electrostatic powder paint ,eloxal coating or without paint.

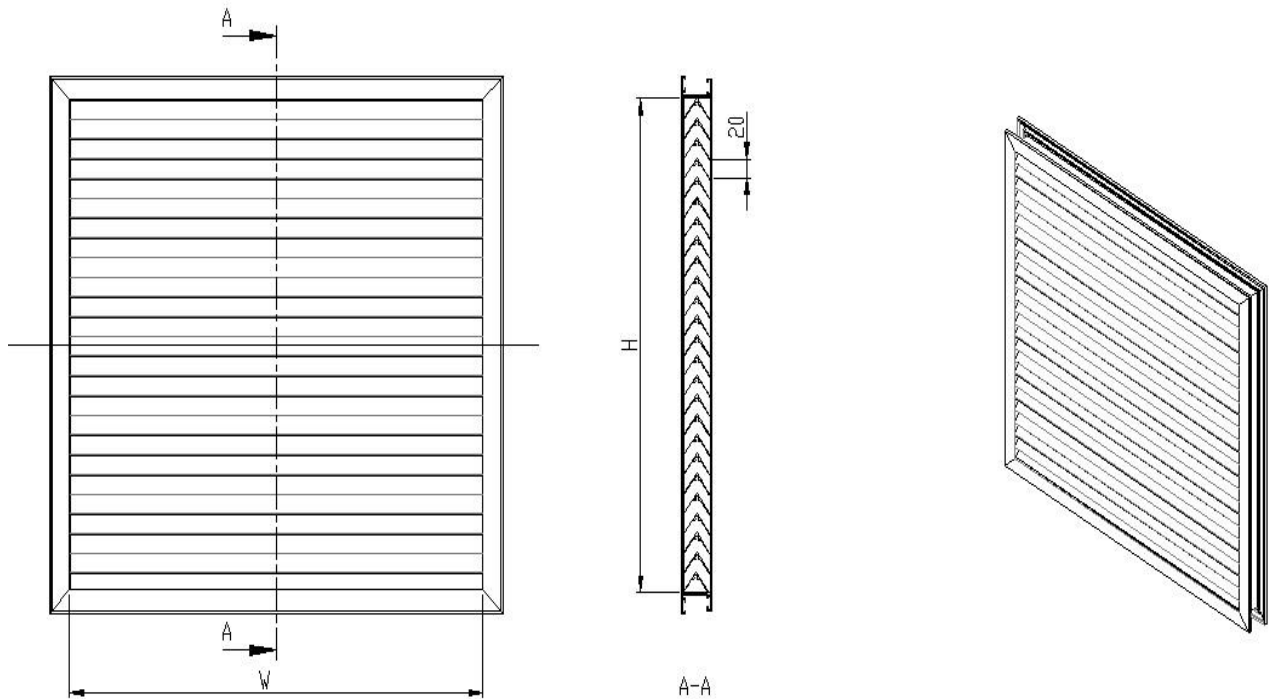
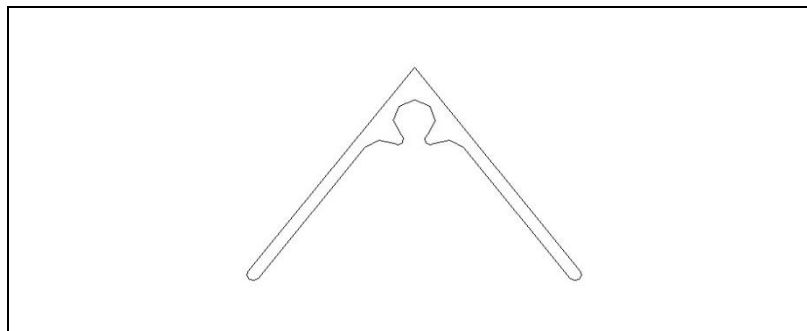
**FRAME TYPES**

STANDARD FRAME	NARROW FRAME
	

TECHNICAL DIMENSIONS

W	100-150-200-250-300-350-400-450-500-600-700-800-900-1000-1100-1200
H	100-150-200-250-300-350-400-450-500-600-700-800-900-1000
COMBINATION CAN BE DONE IN REQUESTED DIMENS	

WING PROFILE



**SELECTION DIAGRAM :**

EFFECTIVE AREA m <sup>2</sup>	DIMENSION W*H ( mm )	AIR VELOCITY m/s	1,5	2	2,5	3	3,5	4	5
		PRESSURE LOSS (Pa)	4	6	9	13	18	22	35
0,017	200*100	m <sup>3</sup> /h	90	126	151	187	220	256	313
	150*150	dBA	-	-	-	-	21	25	31
0,024	200*150	m <sup>3</sup> /h	136	180	220	263	306	360	450
	350*100	dBA	-	-	-	16	23	26	32
0,033	250*150	m <sup>3</sup> /h	180	237	299	360	414	475	594
	200*200	dBA	-	-	-	17	25	27	34
0,042	350*150	m <sup>3</sup> /h	234	306	378	450	540	612	756
	250*200	dBA	-	-	-	18	26	28	35
0,051	400*150	m <sup>3</sup> /h	288	378	468	558	648	756	936
	300*200	dBA	-	-	-	19	26	28	37
0,065	300*250	m <sup>3</sup> /h	360	486	594	720	828	954	1188
	500*150	dBA	-	-	-	20	27	30	38
0,079	350*250	m <sup>3</sup> /h	432	576	720	864	1010	1152	1400
	300*300	dBA	-	-	15	21	28	31	40
0,093	400*250	m <sup>3</sup> /h	504	684	846	1026	1188	1361	1692
	350*300	dBA	-	-	16	22	28	31	41
0,111	500*250	m <sup>3</sup> /h	612	810	1026	1224	1440	1638	2034
	350*350	dBA	-	-	16	23	29	33	42
0,125	400*350	m <sup>3</sup> /h	684	918	1152	1368	1602	1836	2286
	450*300	dBA	-	-	17	23	30	33	44
0,144	450*350	m <sup>3</sup> /h	792	1062	1332	1584	1854	2124	2646
	400*400	dBA	-	-	18	24	30	34	44
0,165	500*350	m <sup>3</sup> /h	900	1206	1512	1800	2106	2412	3010
	450*400	dBA	-	-	19	24	30	35	44
0,186	500*400	m <sup>3</sup> /h	1026	1350	1710	2034	2376	2719	3400
	450*450	dBA	-	-	19	25	32	35	45
0,231	550*450	m <sup>3</sup> /h	1278	1692	2124	2556	2970	3402	4248
	500*550	dBA	-	-	20	26	33	36	46
0,251	600*450	m <sup>3</sup> /h	1368	1536	2286	2754	3204	3672	4590
	700*400	dBA	-	-	20	26	33	36	46
0,301	750*450	m <sup>3</sup> /h	1638	2178	2718	3258	3798	4356	5436
	800*400	dBA	-	-	22	27	34	38	48
0,335	800*450	m <sup>3</sup> /h	1836	2448	3060	3672	4284	4914	6120
	600*600	dBA	-	-	22	27	25	38	50
0,391	900*450	m <sup>3</sup> /h	2140	2860	3582	4284	5004	5724	7128
	1200*350	dBA	-	-	23	29	35	39	52
0,511	1200*450	m <sup>3</sup> /h	2790	3726	4662	5600	6520	7450	9310
	900*600	dBA	-	-	24	29	36	40	-
0,571	1200*500	m <sup>3</sup> /h	3132	4176	5220	6264	7310	8350	10370
	1000*600	dBA	-	15	24	30	37	41	-
0,686	1200*600	m <sup>3</sup> /h	3760	5040	6300	7560	8820	10080	12600
	900*800	dBA	-	16	25	32	40	43	-